

StrapPack

High Speed Banding Machine



OB-360N

OB-360N



High Speed Paper/Film Tape Banding Machine

Introducing the new OB-360N. An upgrade from the OB-360, it's more efficient, more versatile, and easier to operate and maintain.

■ High Speed

Up to 30 cycles per minute. Soft or elastic bundles can be banded without sacrificing the speed.

■ Versatile

- Applies banding to packages as small as 30mm wide x 10mm high up to 420mm wide x 210mm high.

- Either craft (paper) or film tape can be used.

- Larger arch size is available upon request.

■ Stronger Tension

Tension is easily adjustable, with a volume dial, from 5N to 60N (0.5 to 6.1kgf) to accommodate various applications.

■ Better Sealing

Improved sealing/heater design helps achieve an even melting and seamless seal eliminating curled, folded or peeling tape edges.

■ Easier Maintenance

The added guide to the tape shooter attachment takes the guesswork out of the reassembly. Along with the built-in Aluminum Sealing Frame, maintenance will be a breeze.

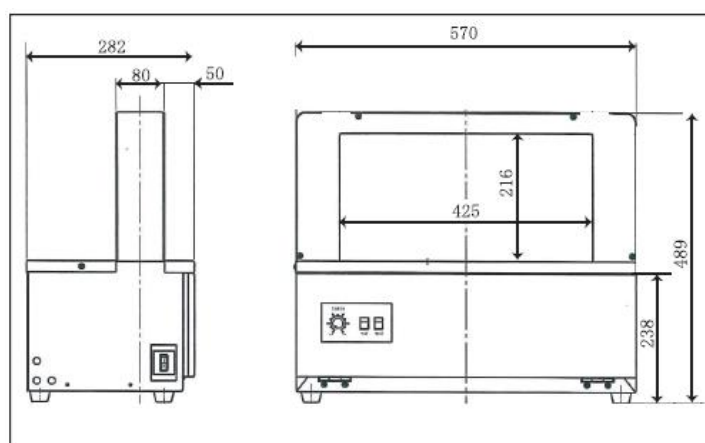
■ Friendly Operation

- A cycle can be activated by simply placing a bundle on the table, pressing the Start button or stepping on the foot pedal switch.

- The Start button has been moved to the table top for easier operation.

- The machine will not operate accidentally without a package on the table.

- In case of feeding issues, the reset function allows the machine to quickly return to its starting position.



Standard Specifications

Dimensions	Width	570mm
	Height	489mm
	Depth	282mm
	Weight	25.5kg
Table Height		238mm
Arch Size		W 425mm x H 220mm
Min. Package Size		W 30mm x H 10mm
Max. Package Size		W 420mm x H 210mm
Tape Dimensions		W 30mm x L 200m x T 110µm (film) W 30mm x L 280m x T 80µm (film) W 30mm x L 370m x T 60µm (film) W 30mm x L 190m x T 110µm (craft/paper)
Tape Tension	60µm film	5N to 30N (0.5kgf to 3.1kgf)
	110µm film	5N to 60N (0.5kgf to 6.1kgf)
	110µm craft/paper	5N to 45N (0.5kgf to 4.6kgf)
Power Supply		100V, 120V, 220V, 230V, 240V - Single Phase - 50/60Hz - 0.33kVA

Dimensions and specifications are subject to change without notice.

Modification rights reserved.

© 2018 Strapack

DISTRIBUTED BY:

STRAPACK N.V./S.A.

Uilenbaan 200, 2160 Wommelgem, BELGIUM
Phone: +32 3 355 15 20 Fax: +32 3 355 15 21
(e-mail) europe@strapack.be