

# Pneumatic Nailer

## Type 700 DC

The BeA 700 DC is a compact but powerful tool. This tool is excellent for applications requiring speed. The tool is so powerful that ring shank nails will countersink even into hardwood. The 700 DC drives wire welded nails with diameter 2,2 to 2,8 in the length from 45 to 70 mm. The comfortable rubber grip and the adjustable exhaust makes the tool operator friendly.



### Popular applications:

Siding, pallets, cases, sheathing, sub flooring, House construction.

Length: 332 mm  
Width: 140 mm  
Height: 305 mm

### Technical data

Type description:	<b>700 DC</b> Contact
Article code:	12100014
Magazine type :	Coil magazine / top loader
Safety:	Contact actuation
Fastener type:	BDC
Magazine capacity:	1 coil
Nails per Coil:	Ø 2,2 and Ø 2,5 = 1 x 300 Ø 2,8 = 1 x 250
Operating pressure:	5 – 8 bar
Max. operating pressure:	8 bar
Air consumption/operation:	1,8 litres / 6 bar
Inner hose diameter:	Ø 9 mm LW recommended
Emission sound pressure level at the workstation:	L pA, 1s, d= 91 dB
Single-shot emission sound pressure level:	L WA, 1 s,d=100 dB
Weight:	3,57 kg

The vibration as per document no. CEN/TC 255 WG 1 N 47.3 is 3,34 m/s<sup>2</sup>

### Extras supplied with the nailer:

Operating instructions, spare parts list, service instructions, silencer.

Subject to technical modifications.

### Accessories:

Article code	Description
14405421	Nail support, steel
14500531	Single actuation set
14500573	Remote valve
14403435	Remote valve ( only in combination with mounting flange )
14403547	Mounting flange
14500548	Silencer set

All BeA pneumatic tools can be jig-mounted  
We supply the necessary accessories and equipments.



This tool conforms to the EG Directive for Machinery (89/392 EWG)

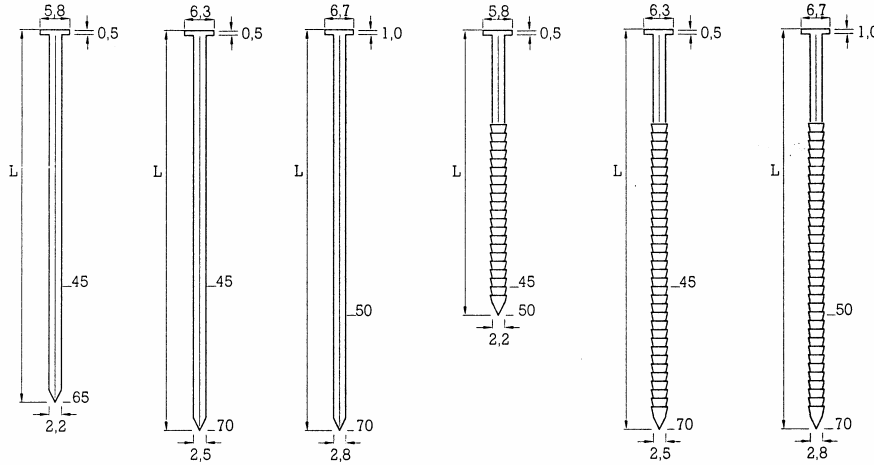
## Pneumatic Nailer Type 700 DC



BeA Deutschland  
Befestigungstechnik  
P.O.Box 14 80  
D-22904 Ahrensburg  
Phone: +49 (0) 4102 78-0  
Fax: +49 (0) 4102 78-250  
www.bea-group.com  
e-mail: [info@bea-group.com](mailto:info@bea-group.com)

a division of  
Joh. Friedrich Behrens AG

### BDC – nails ( wire welded nails )



Description	L = Length mm
BDC 2,2 x 45 BK	45
BDC 2,2 x 50 BK	50
BDC 2,2 x 55 BK	55

BDC 2,5 x 45 BK	45
BDC 2,5 x 60 BK	60
BDC 2,5 x 65 BK	65
BDC 2,5 x 70 BK	70

BDC 2,8 x 60 BK	60
BDC 2,8 x 65 BK	65
BDC 2,8 x 70 BK	70

Nails are also available in NK ( galvanized steel ), NR ( stainless steel ) and with ring shank on request.

#### Explanations:

NK = galvanized steel	BK = bright steel	LM = aluminium	HZ = resin coated
NKS = galvanized steel, extra hard	BKS = bright steel, extra hard	NR = stainless steel, material. 1.4401	DP = divergent point
NKH = galvanized steel, hard	MS = brass	RF = rust resistant, material 1.4301	SA = step cut