

**MANUAL SEALLESS STRAPPING TOOL FOR STEEL STRAP — FLAT PACKAGE****TECHNICAL DATA / APPLICATIONS :**

Low cost steel strapping tool, compact and easy. Reliable to use in medium / light duty applications. Available standard on 16mm (5/8") is also complete with 13mm(1/2") and 19mm(3/4") strap guides included into the box. No high tensile strap.

Package type	Flat (minimum 150mm—6") Minimum Diam. For round pack 1000mm— 40"
Joint type	Sealless
Strap quality standard duty	Bright / blue - regular RMax.=850 N/mm2
Strap Width	from 13mm up to 19mm (1/2"- 3/4")
Strap thickness	Bright from 0,45mm up to 0,6mm (0.018"- 0.024") Blue from 0,45mm up to 0,58mm (0.018"- 0.023")
Max. tension / Gear ratio	Around 400Kgs on strap / around 1: 15
Weight	Around 3,5Kgs
Order code	114.160.040

- \* MODERN AND ERGONOMIC DESIGN
- \* COMPACT AND LIGHT
- \* EASY TO USE



- \* LOW FORCE TO OPERATE
- \* EFFICIENT SEAL

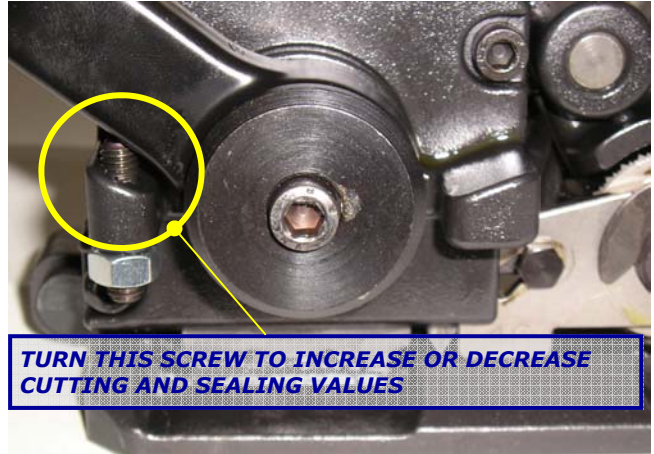


- \* MAIN STEEL PARTS ANTIRUST COATED

- EASY AND FAST ADJUSTMENTS  
- EASY ACCES TO CLEAN AND TO PERFORM MAINTENANCE



**SIDE VIEW— DIE SET DETAIL**



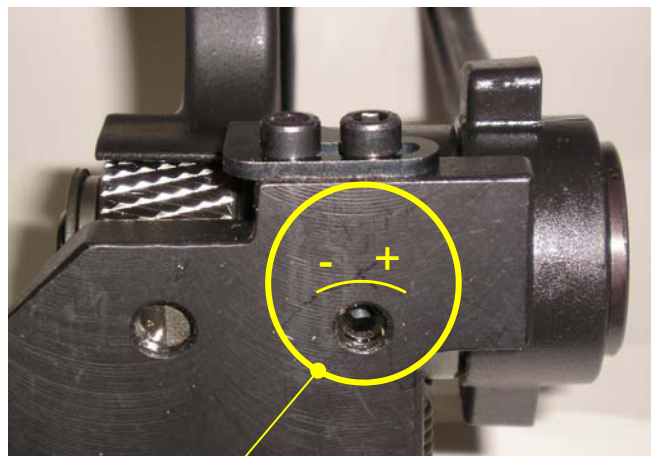
**TURN THIS SCREW TO INCREASE OR DECREASE CUTTING AND SEALING VALUES**

**ADJUSTING CUT AND SEALING SCREW DETAIL**

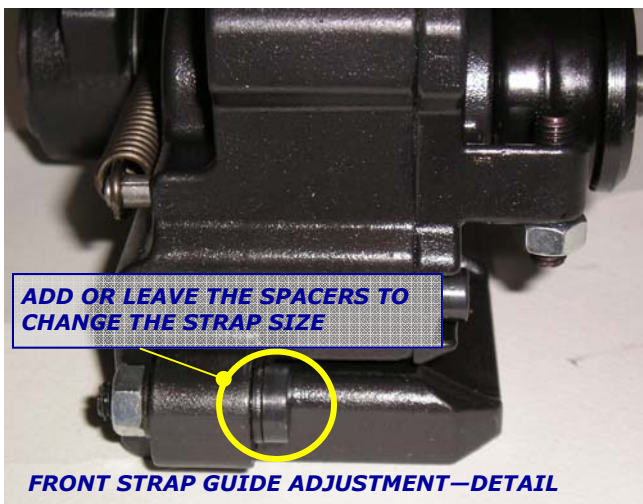


**REPLACE THIS PART TO CHANGE THE STRAP SIZE EVERY STRAP GUIDE IS MARKED FOR SIZE**

**SIDE GUIDE STRAP DETAIL**

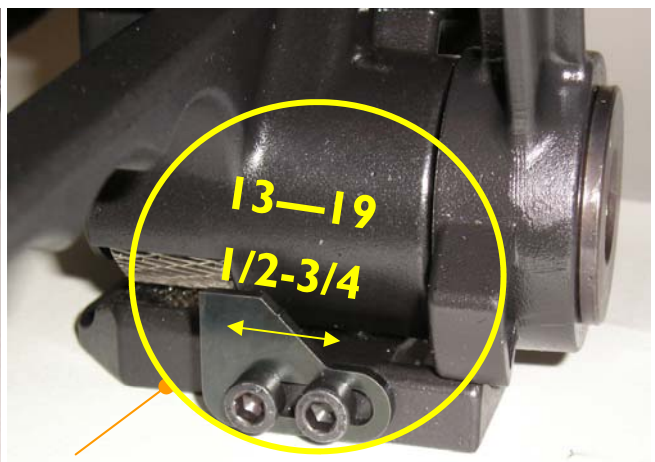


**FEEDWHEEL GAP ADJUSTING SCREW—DETAIL**



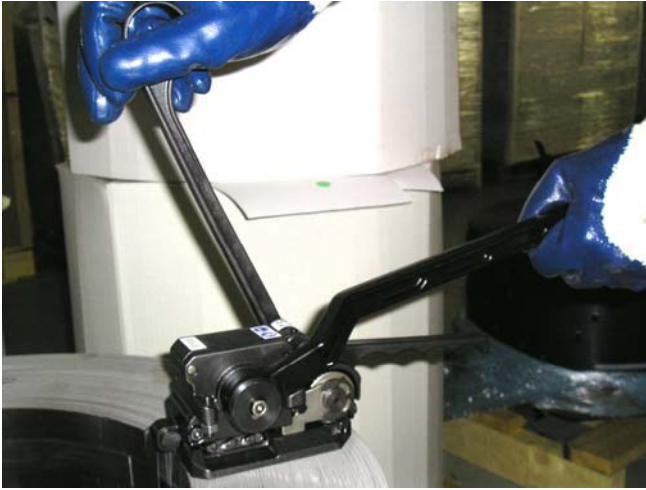
**ADD OR LEAVE THE SPACERS TO CHANGE THE STRAP SIZE**

**FRONT STRAP GUIDE ADJUSTMENT—DETAIL**



**REAR GUIDE STRAP ADJUSTMENT—DETAIL**

**TYPICAL APPLICATIONS**



- \* MECHANICAL INDUSTRIES
- \* CARPENTRY
- \* PAPER AND CARTON INDUSTRIES
- \* WOOD
- \* PACKAGING PRODUCE



**VERTICAL OPERATION**



**SEALLESS JOINT**

ALL SPECIFICATIONS ARE CORRECT AT TIME OF PRINT, ARE FOR GUIDANCE PURPOSE ONLY AND SUBJECT TO CHANGE WITHOUT PRIOR NOTICE -09/04

COLUMBIA S.r.l. Packing Systems & Materials -Via Della Repubblica, 44 - SOLARO (MI) - ITALY  
TEL. +39.02.96790381 - FAX +39.02.96790397 - columbiatools@columbiatools.net—www.columbiatools.it